



Webinar : Preparing Geometries for Simulation using SpaceClaim

Challenges Between Modeling and Simulation

Traditional CAD software, designed for manufacturing documentation, is not optimized for CAE experts. Before SpaceClaim, CAE users were forced to use CAD tools designed for CAD specialists or ask the CAD team to create or simplify models for them. The result: wasted time and energy. All too often, engineers wouldn't be able to perform simulation until after the detailed models were complete, causing unnecessary compromises and time-consuming changes late in the process.

Solution

SpaceClaim empowers engineers by letting them clean, simplify, modify, and optimize both imported models, and models created from scratch inside SpaceClaim. Our built-in tools such as mid-surface extraction and beam extraction help to simplify models for structural analysis faster, saving hours of time.

In this webinar, we'll show you how SpaceClaim can:

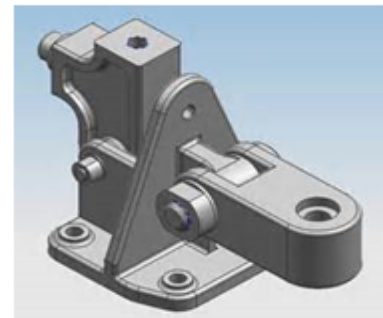
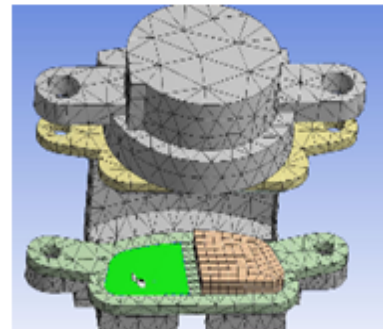
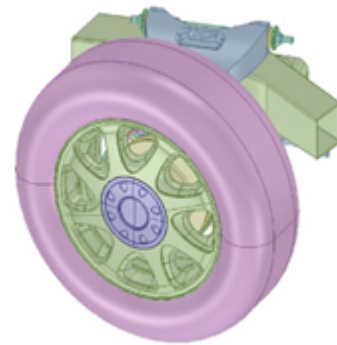
- Open and edit parts from any CAD system
- Detect and repair common issues with CAD geometry
- Remove unnecessary small features such as rounds and holes
- Convert imported solids to beam and shell elements
- Check for shared topology and ensure non-manifold junctions
- Add your own custom driving dimensions to optimize CAD parts
- Create and edit new concepts to drive detailed design

About SpaceClaim

SpaceClaim is a 3D CAD tool that enables anyone to create, edit, or repair geometry without worrying about underlying technology. With SpaceClaim, working with 3D modeling software becomes fast, easy, flexible, and rewarding, no matter where in the workflow you need it.

Learn more about SpaceClaim by clicking on the following links:

[SpaceClaim for Modeling and Simulation](#)



Presenter



Sharazul Salleh is an Applications Engineer with CAD-IT Consultants (M) Sdn Bhd since 2012. He has a Bachelor of Applied Science degree in Mechanical Engineering, from the University of Toronto, Canada. Prior to joining CAD-IT Consultants, he was in Advanced Micro Devices (AMD, in Markham, Canada) for 14 months where he worked with various simulation software solutions. He was exposed to, and utilised Finite Element Analysis (FEA) in various industry related projects in the university eg with Aquavion Systems Corp to develop a new type of seaplane, called the SeaStryder. He is experienced in using ANSYS Mechanical (both Workbench and APDL environments) and ANSYS LS-DYNA.

Information

Title : Preparing Geometries for Simulation using SpaceClaim
Date : 23rd January 2014 (Friday)
Time : 3:00 pm
Duration : 1 hour

[Register NOW](#)

- Register online for this FREE webinar.
- CAD-IT Consultants reserves the right to cancel or postpone the event due to unforeseen circumstances.

For enquiries, please call 03-78064758 or email at eventsma1@cadit.com.sg

We respect your privacy. If you wish to unsubscribe from our mailing list, please click [here](#).